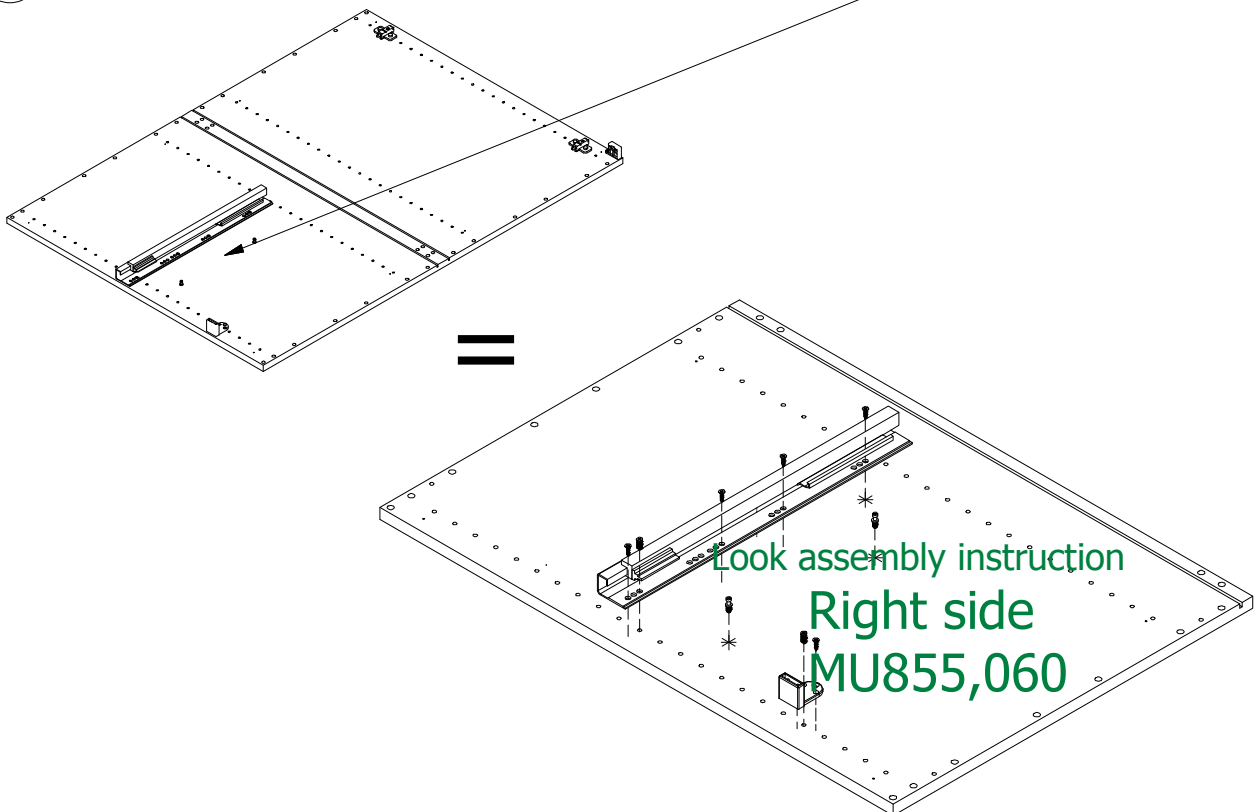


FIG. 1



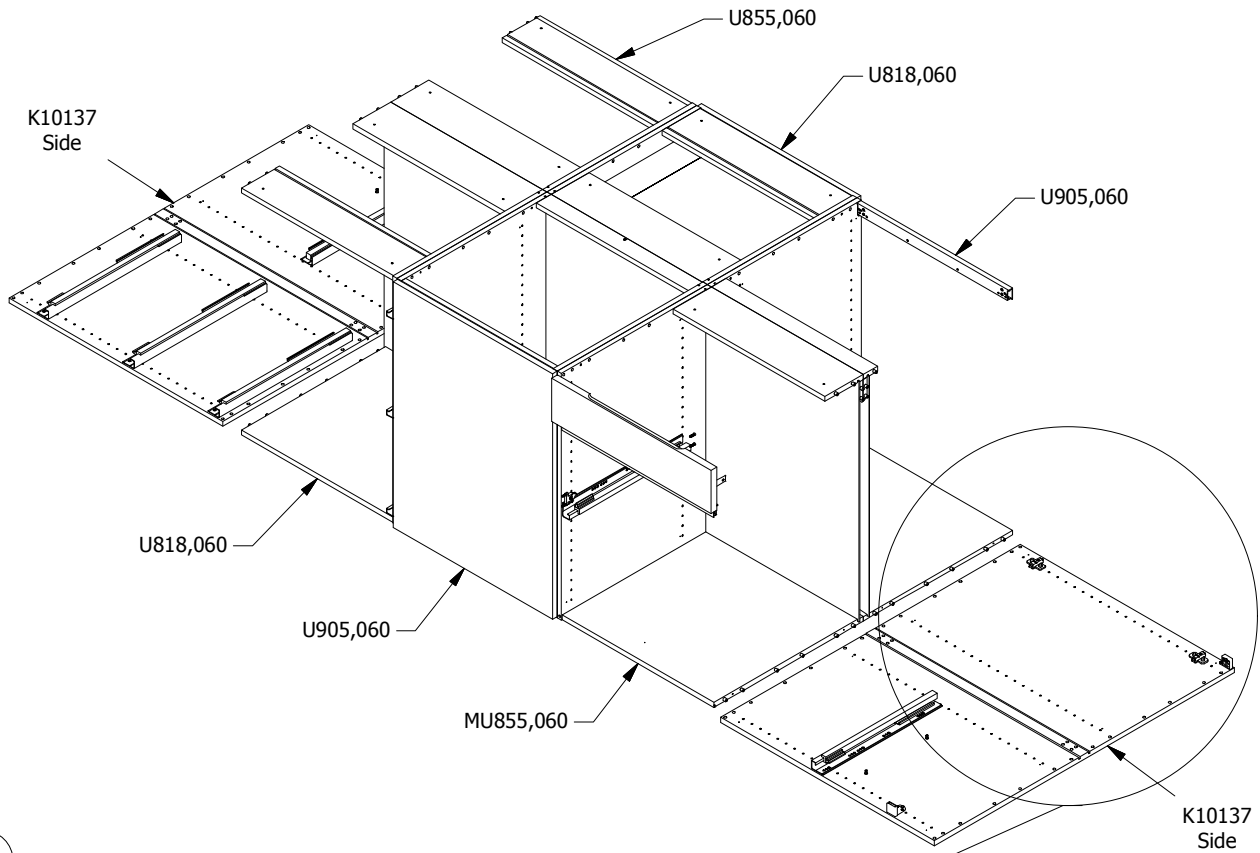
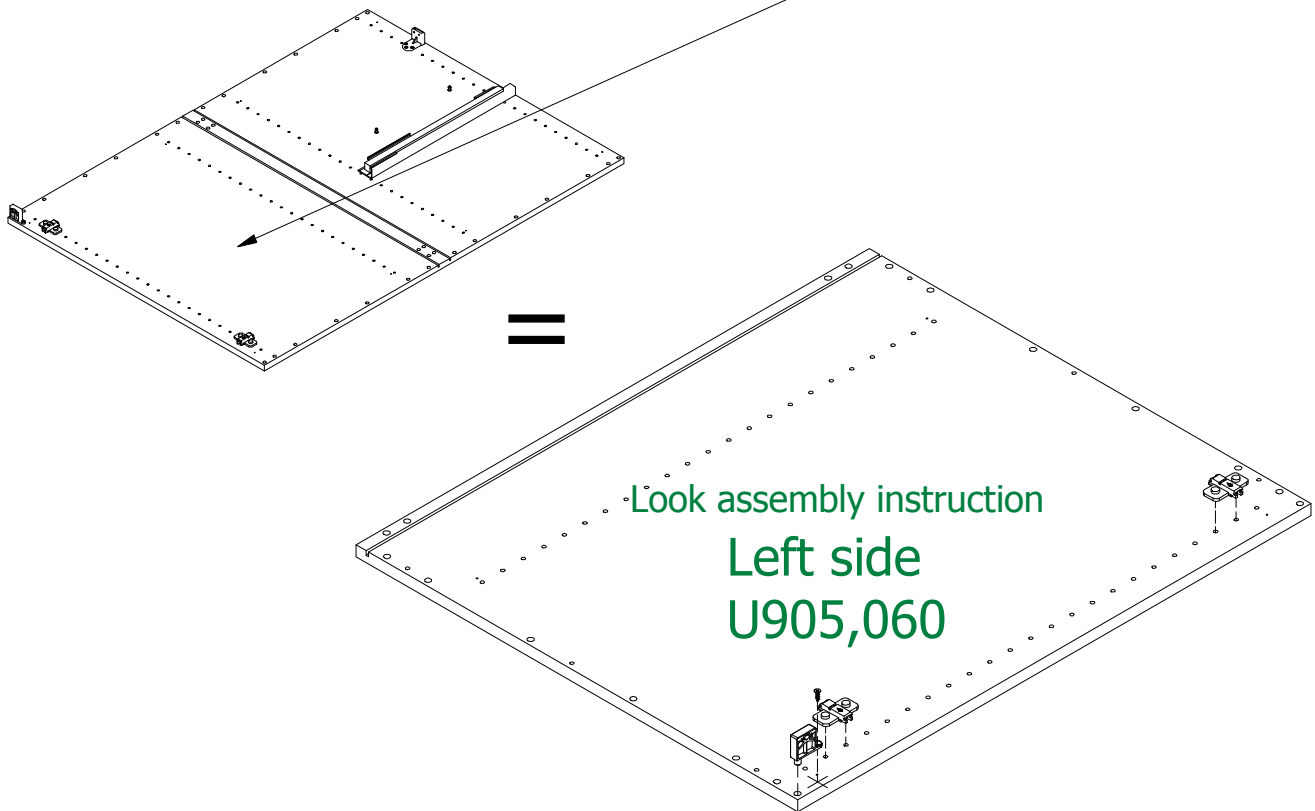


FIG. 2



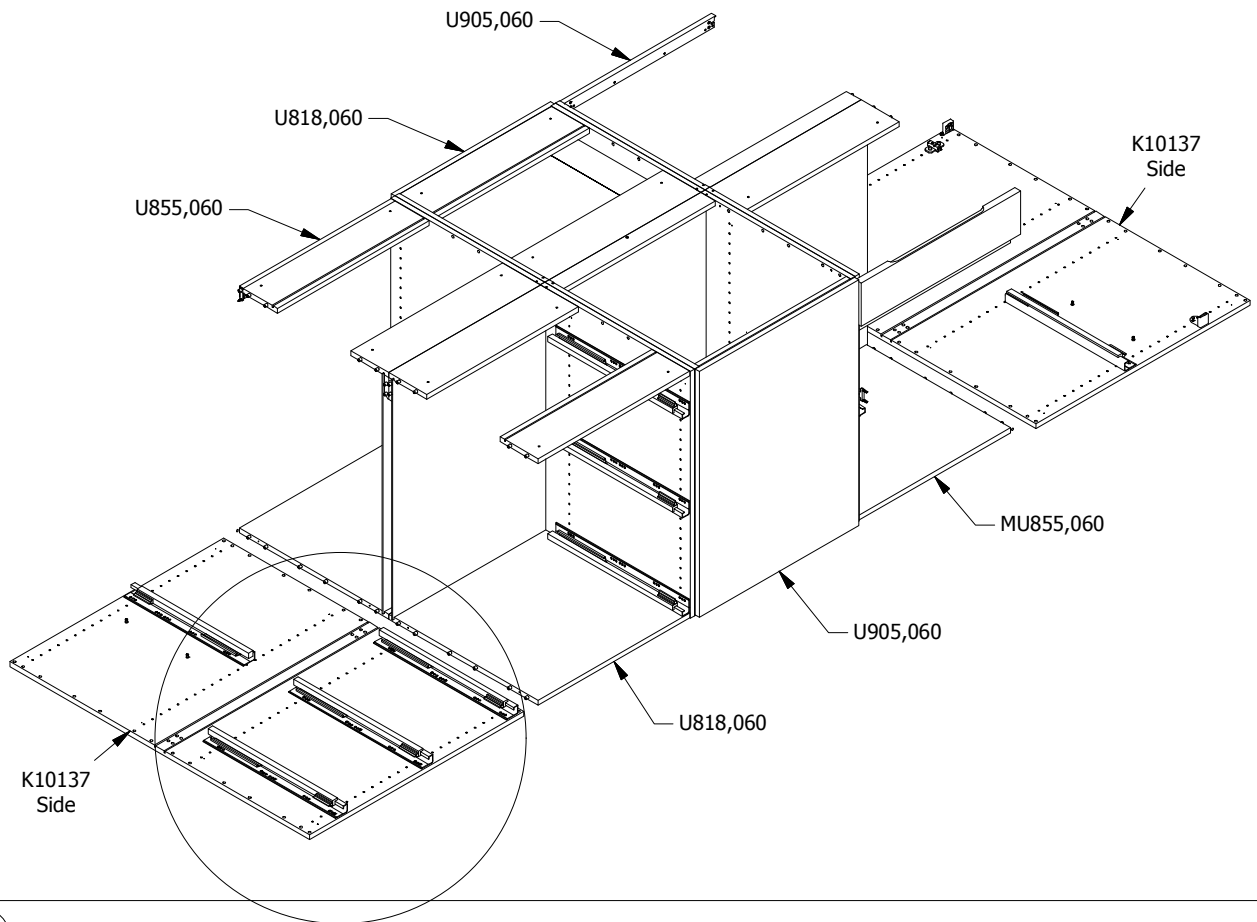
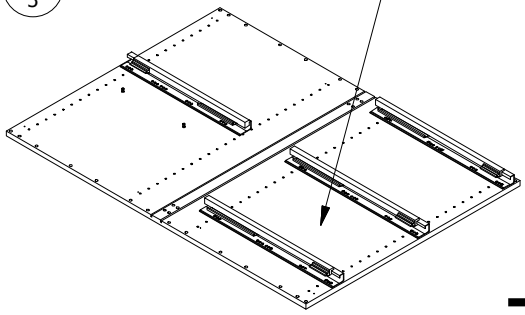
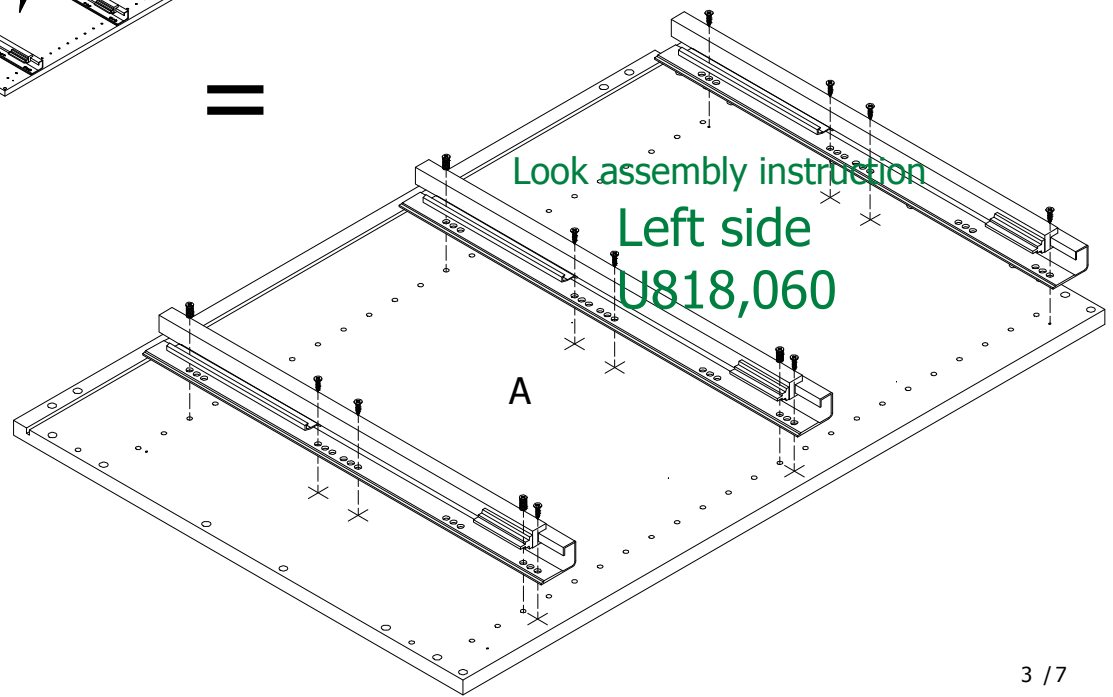


FIG. 3



=



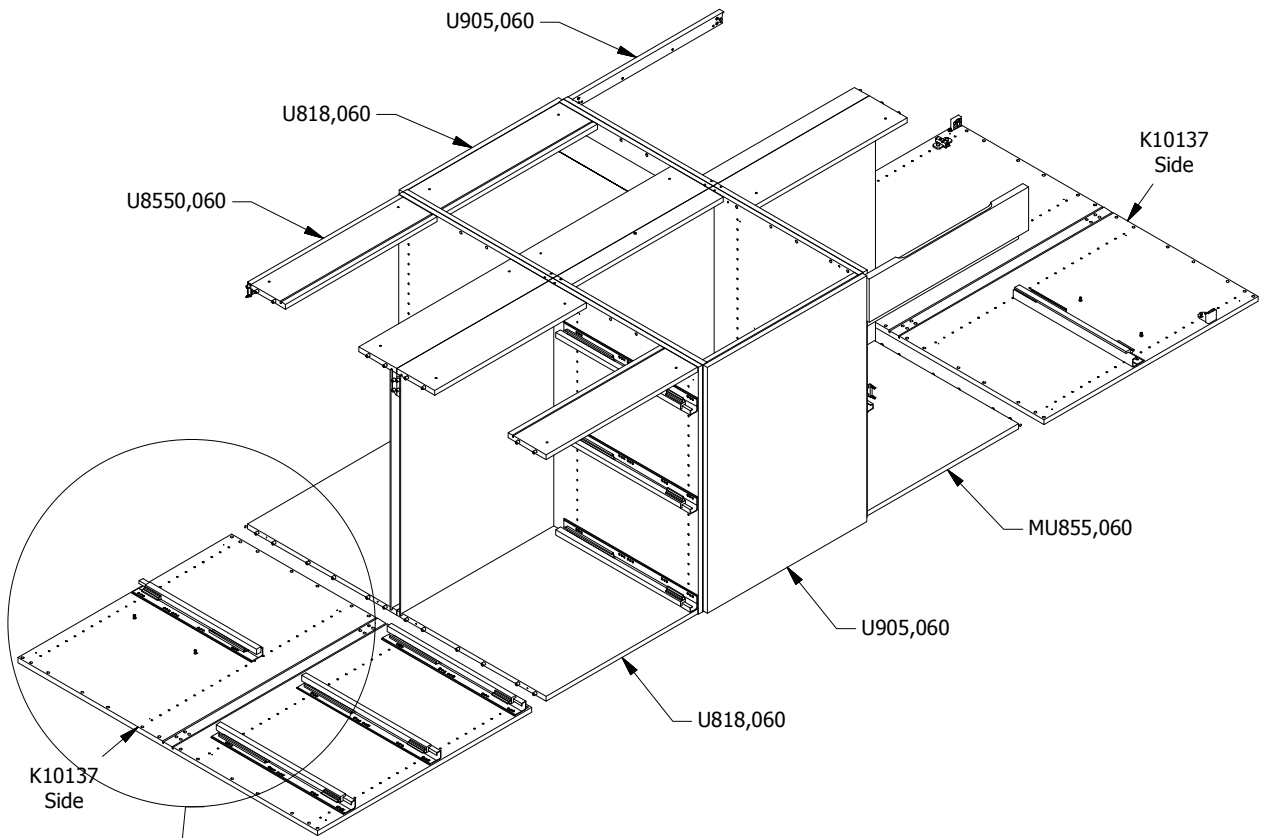
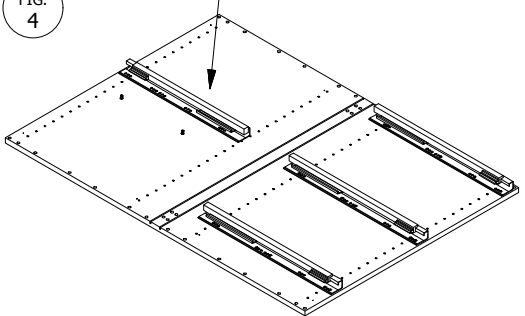


FIG. 4



=

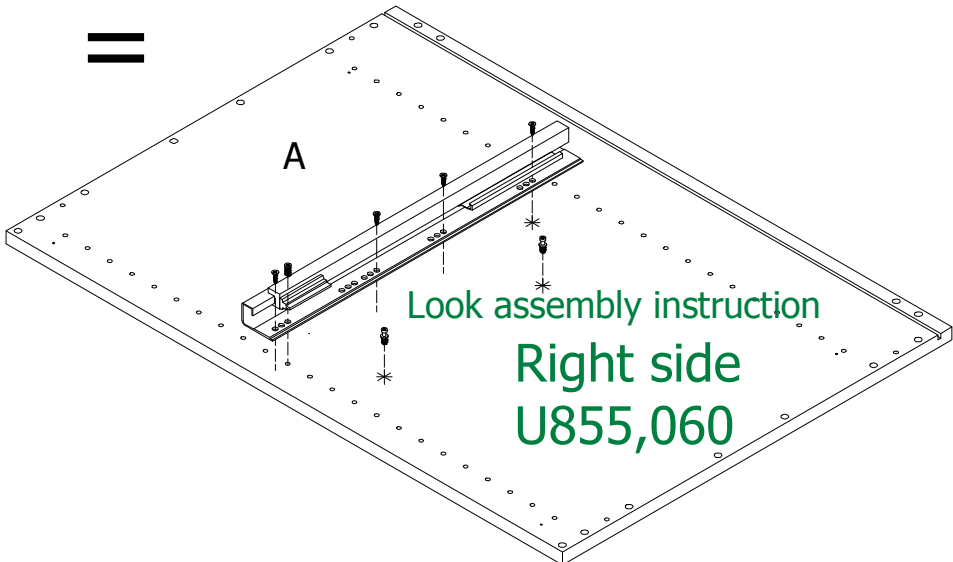


FIG.
5

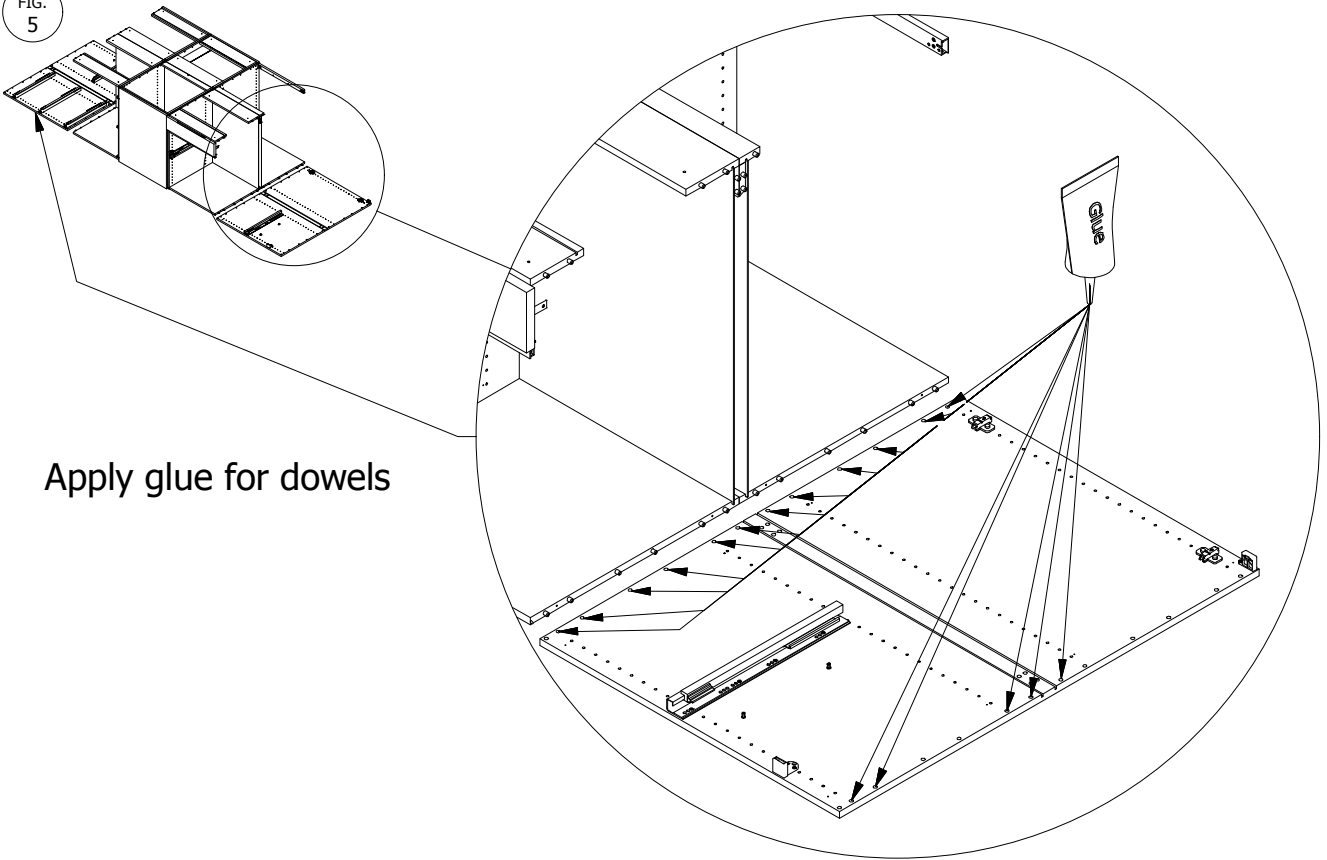


FIG.
6

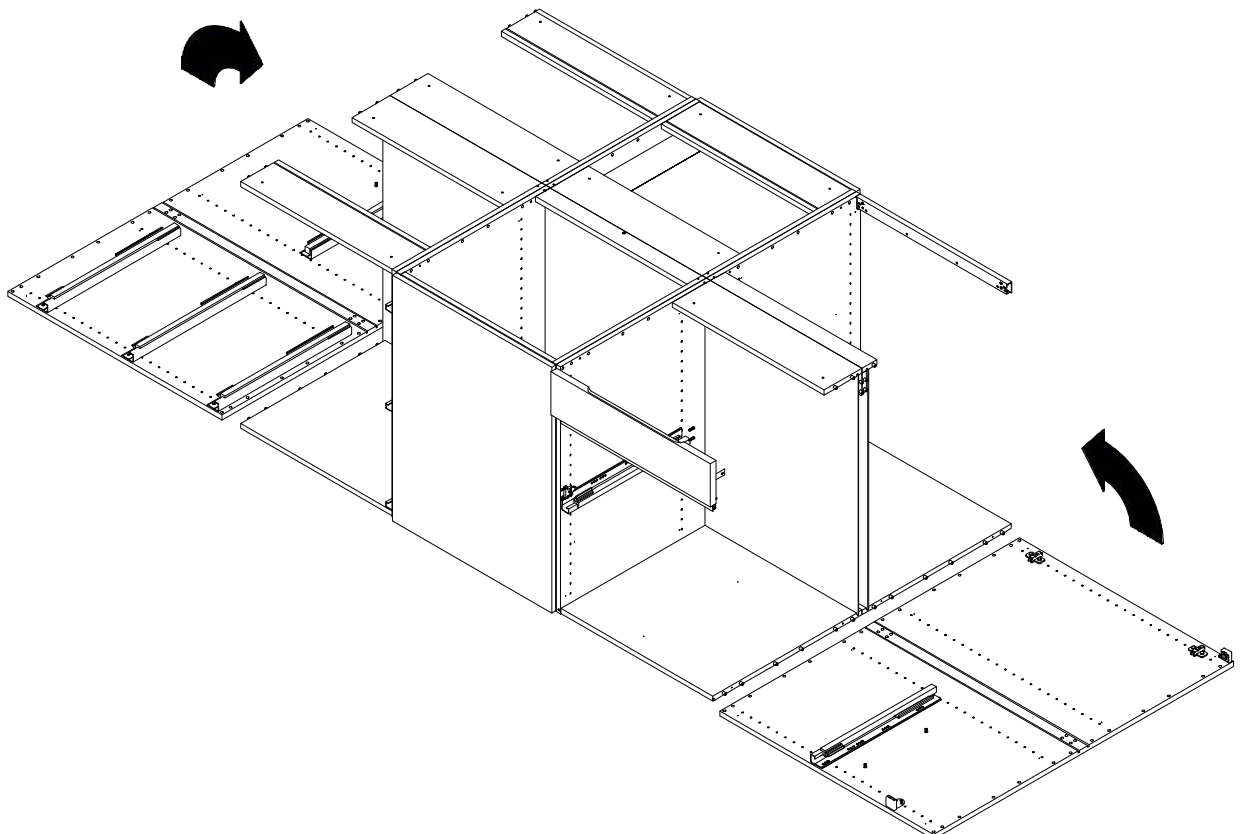


FIG. 7

IMPORTANT!!!!

4 legs under each module with screws.

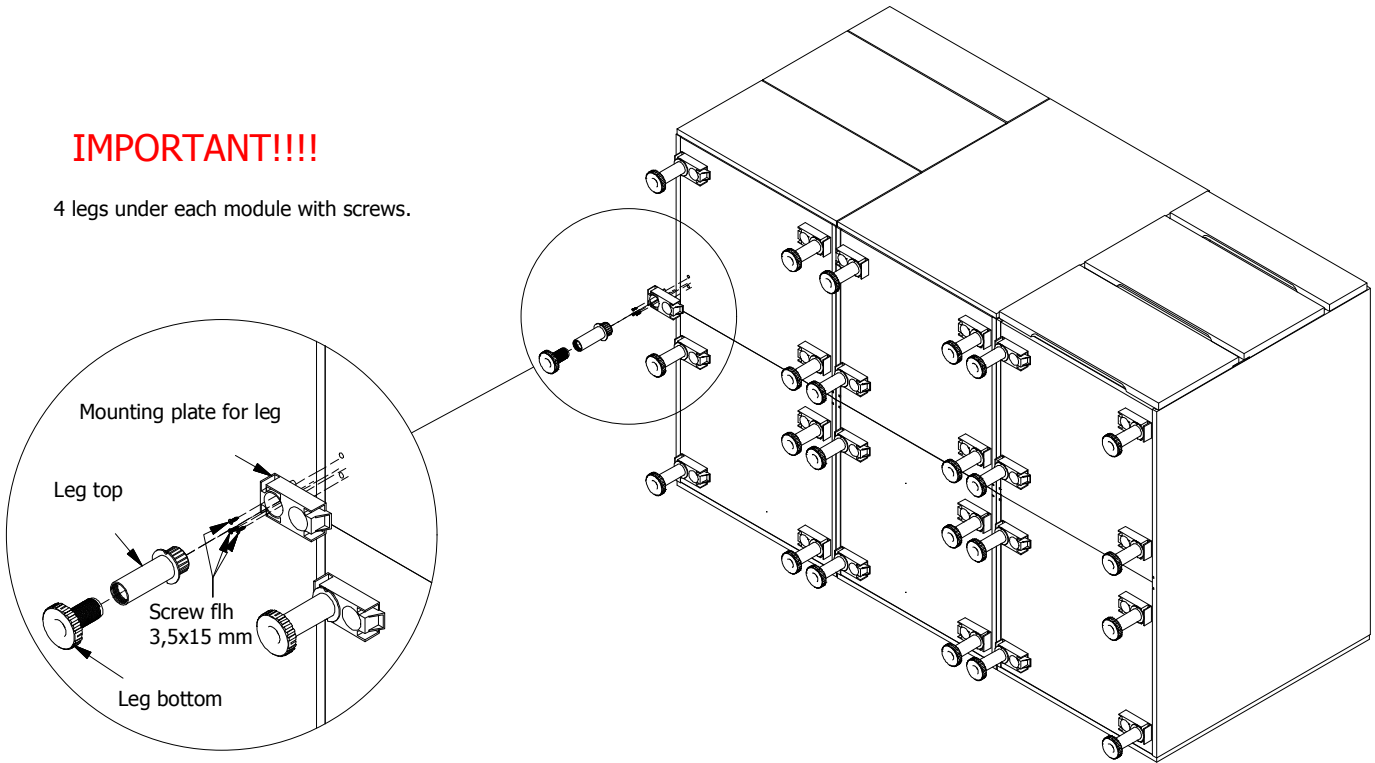


FIG. 8

Important!!!

After adjustment of all legs. Raise the legs in the corners, one by one, and apply glue, and lower it again.

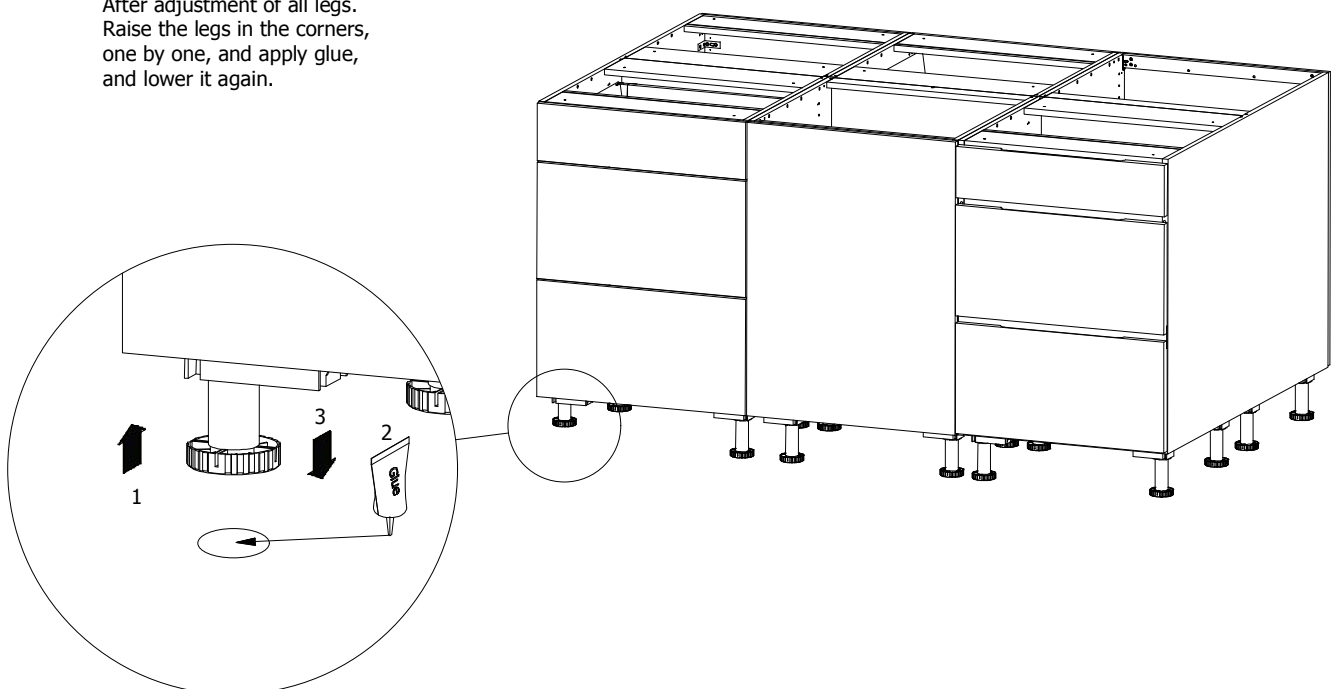
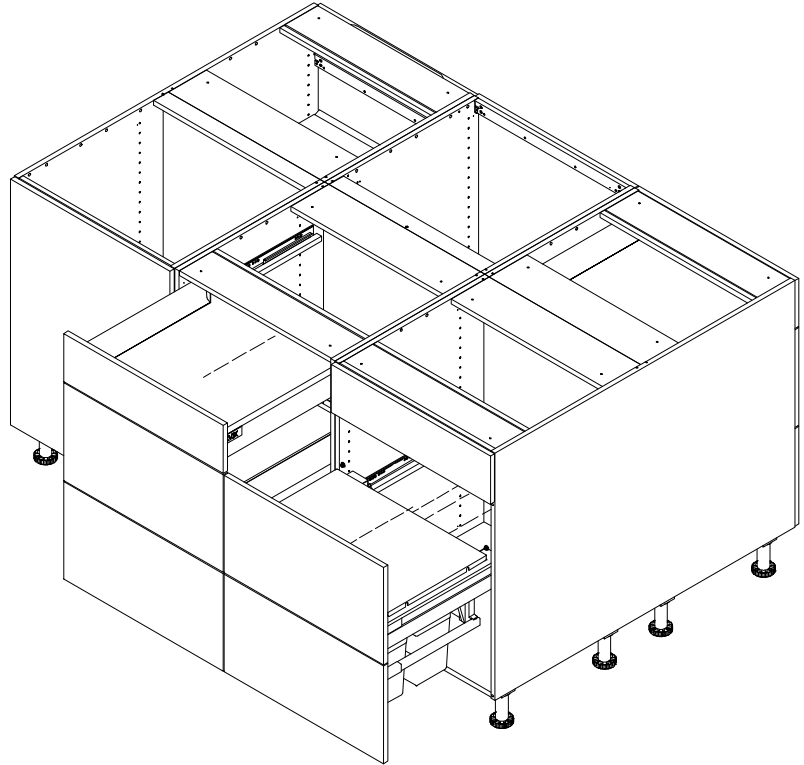


FIG.
9

Warning!!!

Do not open all drawers on the same side,
at the same time



WARNING

DO NOT allow children to climb on unit.

